

PROJECT: BUNGILOW, RAJAN PALLY, BOLPUR

REQUIRED --- TO NO. CAR ALLOTTED --- TO NO. CAR

6. PROPOSED CONSTRUCTION SHOWN BY

7. ROAD SHOWN BY

8. PROPERTY LINE SHOWN BY

9. DRAIN SHOWN BY

1. AREA OF LAND = 3622.56 SQ.M = 3947.35 SFT.
 2. COVERED AREA = 1233.70 SQ.M = 1335.00 SFT.
 3. ROAD WIDTH = 6.0 M
 4. PERMISSIBLE GROUND COVERAGE - 50.0%
 5. PROPOSED GROUND COVERAGE - 41.58%
 6. AREA OF BUILDINGS:

BUILDING	FLOOR	AREA (SQ.M)
BUILDING 1 :-	GROUND FLOOR	455.45 SQ.M
	FIRST FLOOR	522.58 SQ.M
BUILDING 2 :-	GROUND FLOOR	376.14 SQ.M
	FIRST FLOOR	376.14 SQ.M
BUILDING 3 :-	GROUND FLOOR	379.04 SQ.M
	FIRST FLOOR	408.88 SQ.M
BUILDING 4 :-	GROUND FLOOR	41.46 SQ.M
	FIRST FLOOR	173.07 SQ.M
BUILDING 5 :-	GROUND FLOOR	43.78 SQ.M
	FIRST FLOOR	177.05 SQ.M
BUILDING 6 :-	GROUND FLOOR	65.87 SQ.M
	FIRST FLOOR	59.82 SQ.M
TOTAL FLOOR AREA		3183.03 SQ.M
	TOTAL GROUND COVERAGE AREA	1523.70 SQ.M
PROPOSED P.A.R - 1.05		

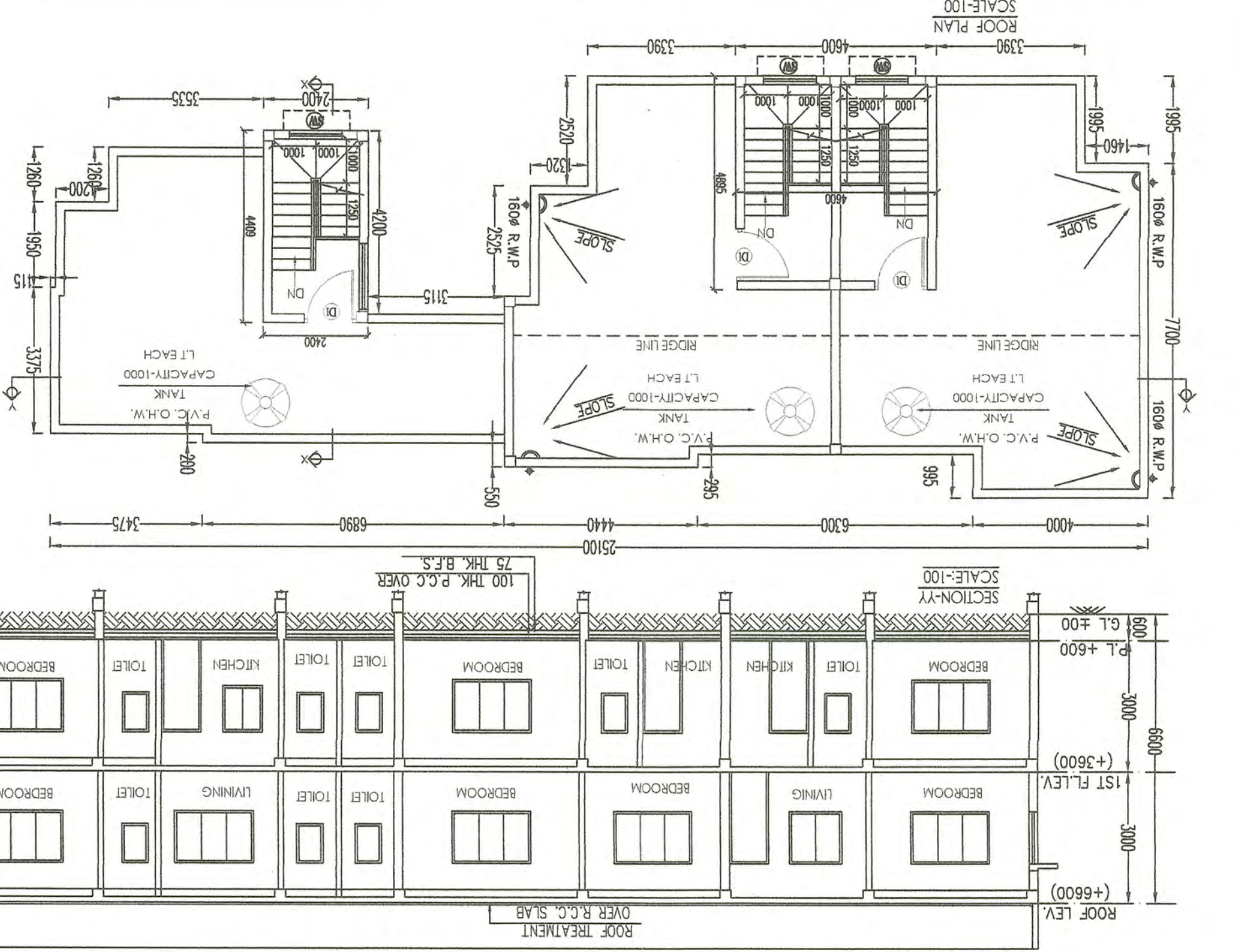
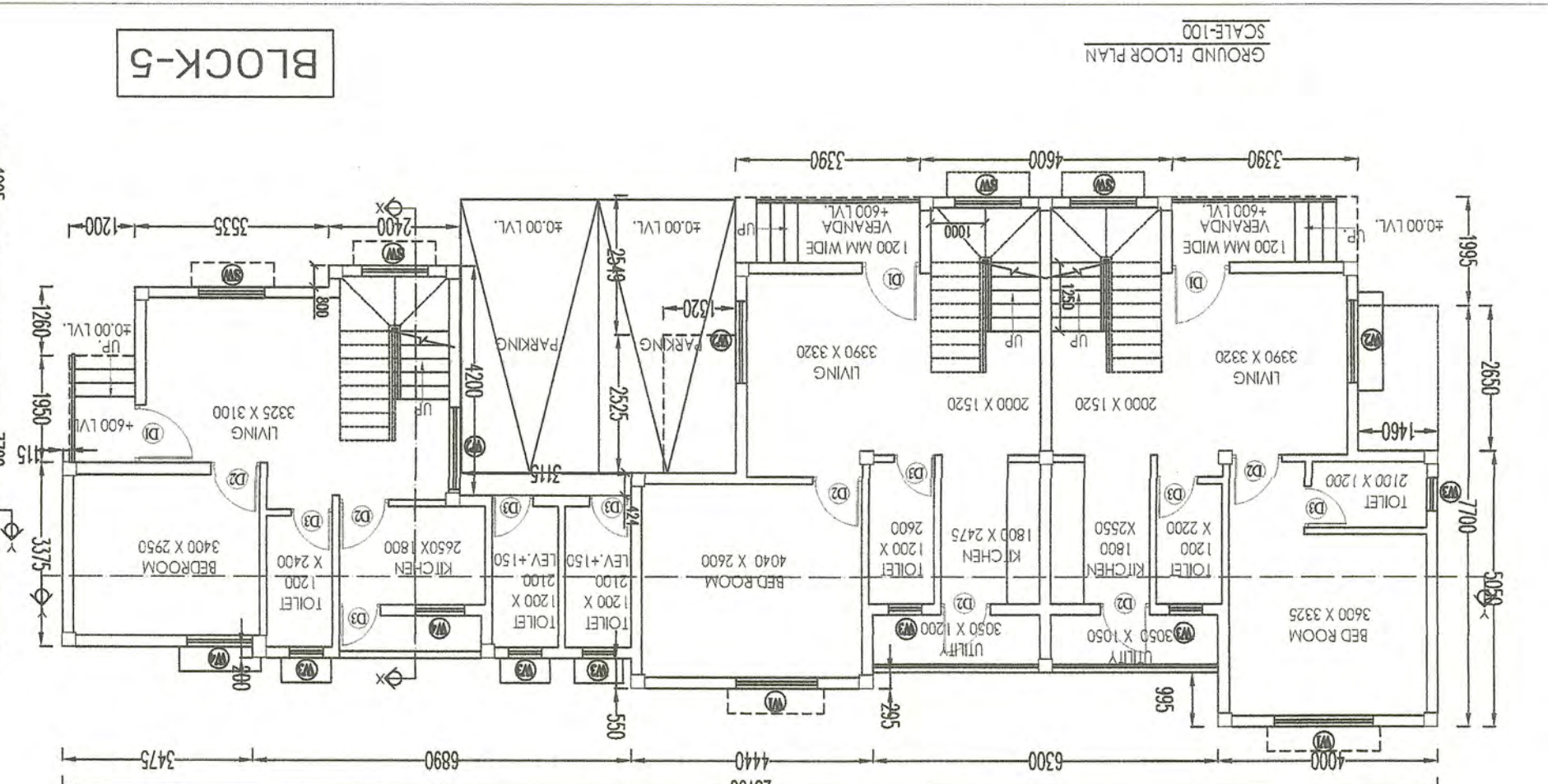
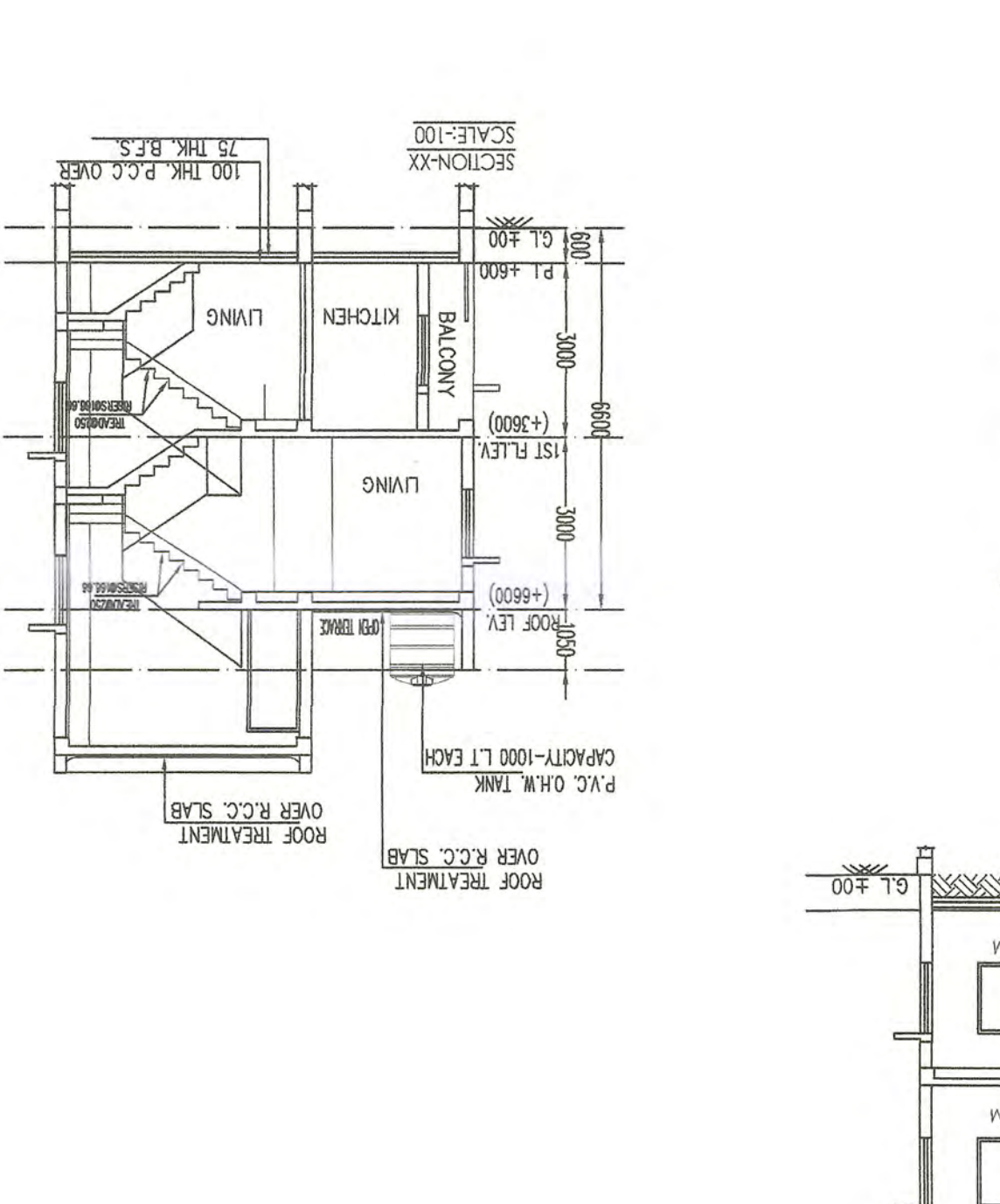
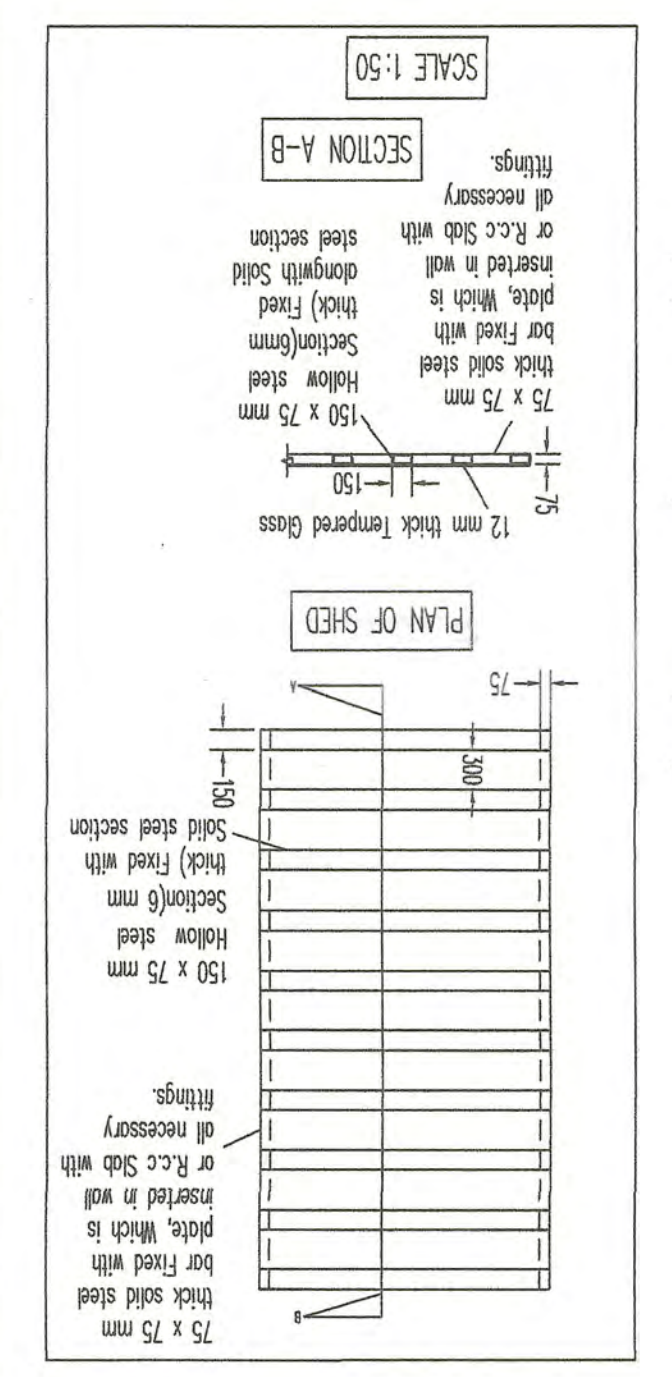
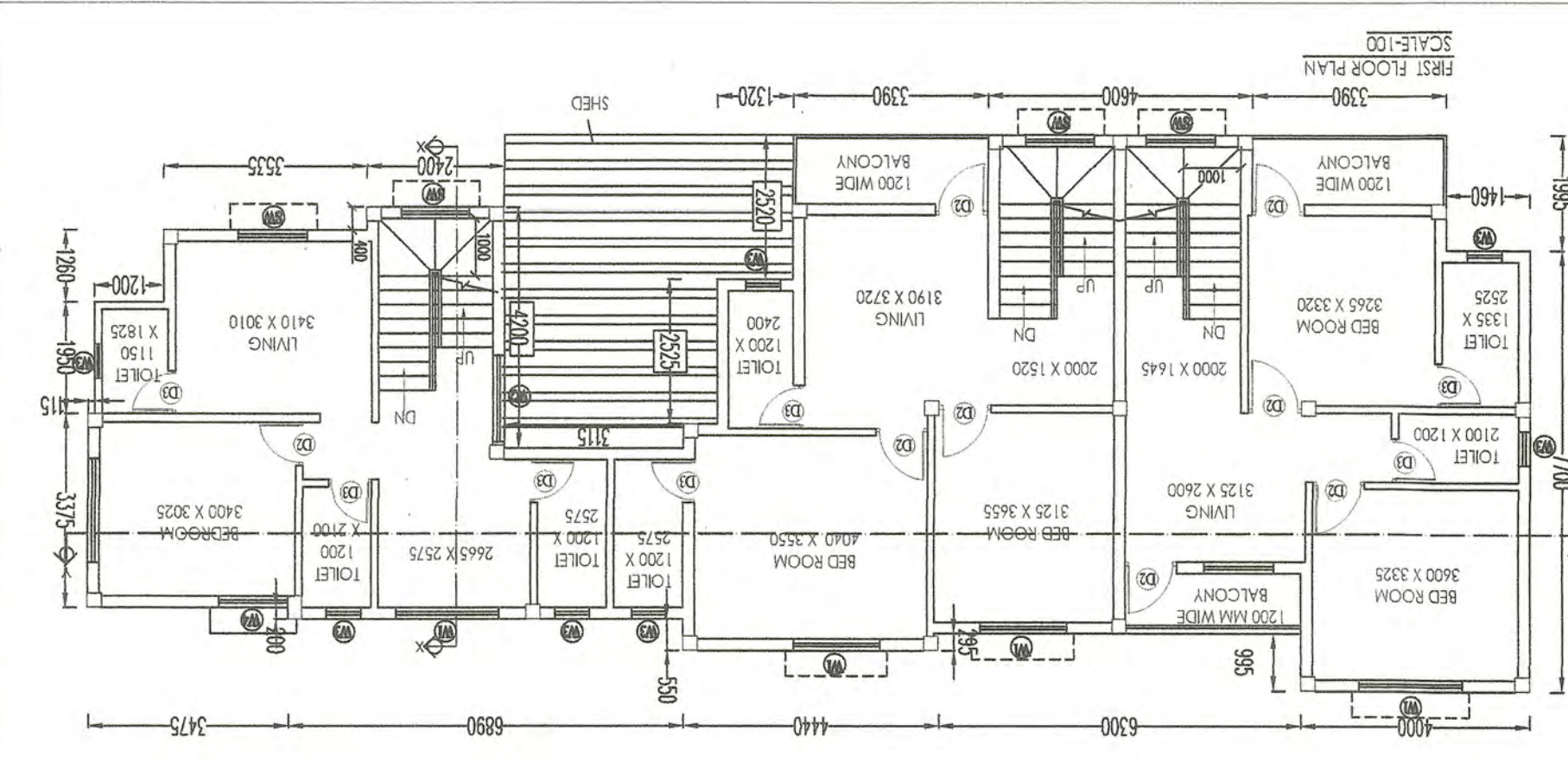
APPROVED No. 100/2023
 H-23-05-2023

1. Mr. Arabinda Konar S/o - Nalini Ranjan Konar
 2. Rani Chatterjee D/o - Arabinda Konar, Kozza-Madhusudanpur, JL No- 68, Plot No- 4/77/562.

Block-5

SCHEDULE OF DOORS & WINDOWS

S.NO.	TYPE	WIDTH	HEIGHT	S.M.N.	TYPE	WIDTH	HEIGHT
01.	DR	1000	2100	04.	WH	1200	1500
02.	DR	750	2100	03.	WH	600	750
03.	DR	500	2100	02.	WH	1500	1800
04.	DR	1000	2100	01.	WH	1500	1800



APPROVED No. 100/2023
 H-23-05-2023

1. Mr. Arabinda Konar S/o - Nalini Ranjan Konar
 2. Rani Chatterjee D/o - Arabinda Konar, Kozza-Madhusudanpur, JL No- 68, Plot No- 4/77/562.

PARTY'S COPY